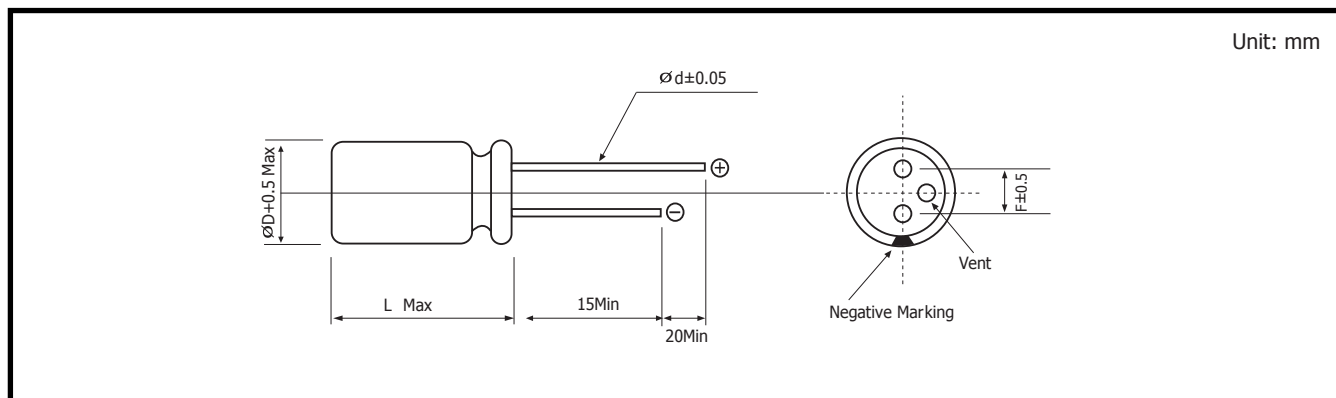


- High stability
- Small capacitance change
- Low dissipation factor and low leakage current

■ SPECIFICATIONS

Operating Temperature Range	-20~+55°C
Rated Voltage	330VV.DC
Voltage Tolerance	350SV.DC
Capacitance Tolerance	-10%~+20% (at 20°C, 120Hz)
Dissipation Factor (at 20°C, 120Hz)	0.06max
Leakage Current	I = 1xC (20°C, 5 minutes) I: Leakage Current (uA) C: Rated Capacitance (uF)

■ DIMENSIONS



■ STANDARD RATINGS

ØD	10	10.5	11	12	12.5	13	13.5	14	14.5	15	15.5	16	17	18
F	5.0								7.5					
Ød	0.6				0.8									