

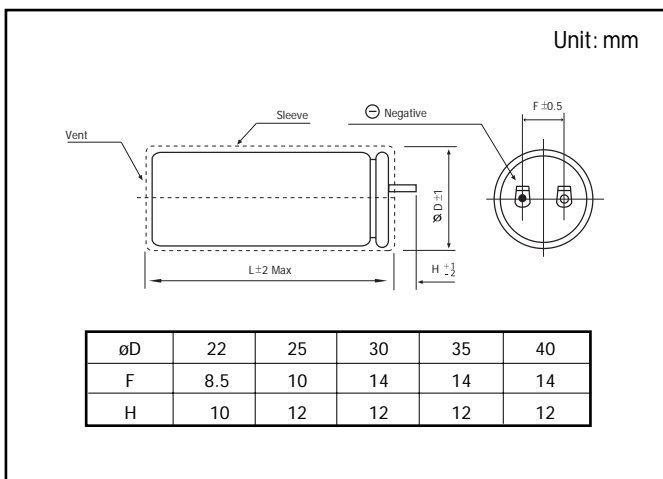
- Standard product
- For industrial equipment control etc.

■ SPECIFICATIONS

Operating Temperature Range	-40 ~ +85°C (16 ~ 100V), -25 ~ +85°C (160 ~ 450V)						
Rated Voltage Range	16 ~ 450V						
Leakage Current	33 ~ 68000 uF						
Capacitance Tolerance	-10%~+50% (at 20°C, 120Hz)						
Leakage Current	3CV(uA)max (at 20°C, after 5 minutes) C: Nominal Capacitance(uF) V : Rated Voltage(V)						
Dissipation Factor (at 20°C, 120Hz)	Rated Voltage (V)	16~25		35~63		80~350	400~450
	Cap (uF)	3300 ~ 10000	15000 ~ 33000	47000 ~ 68000	1000 ~ 33000	47~ 10000	33 ~ 470
	tan δ	0.35	0.50	0.75	0.25	0.35	0.20
Temperature Characteristics (Impedance Ratio at 120 Hz)	W.V	16~100		160~250		315~450	
	Z-25°C/+20°C	3		3		8	
	Z-40°C/+20°C	12		-		-	
Load Life (+85°C)	Time	1000 hours					
	Capacitance Change	Within ±20% of the initial value					
	Dissipation Factor	200% of the specified value or less					
	Leakage Current	The specified value or less					
Shelf Life (+85°C)	Time	500 hours					
	Capacitance Change	Within ±20% of the initial value					
	Dissipation Factor	200% of the specified value or less					
	Leakage Current	The specified value or less					

After test: U_r to be applied for 60 minutes, 24 to 48 hours before measurement.

■ DIMENSIONS



■ MULTIPLIER FOR RIPPLE CURRENT

Frequency Coefficient

Rated Voltage(V)	Freq(Hz)					
	50	60	120	1K	10K	≥ 50K
16 ~ 100	0.88	0.90	1.00	1.15	1.15	1.15
160 ~ 250	0.77	0.80	1.00	1.50	1.60	1.63
315 ~ 450	0.88	0.90	1.00	1.15	1.15	1.15

■ STANDARD RATINGS

V \ uF	16	25	35	50	63	80	100
470							22x30
680							22x40
1000					22x30	22x30	25x40
1500				22x30	22x40	22x40	25x50
2200			22x30	22x40	25x40	22x40	30x50
3300		22x30	22x30	25x40	25x50	25x50	35x50
4700	22x30	22x40	25x40	25x50	30x50	30x50	35x63
6800	22x30	25x40	30x50	30x50	30x50	35x50	35x100
10000	25x40	25x50	30x63	35x63	35x80	35x63	
15000	30x50	30x63	35x63	35x80	35x100	35x100	
22000	30x63	35x63	35x80	35x100			
33000	35x63	35x80	40x100				
47000	35x80	40x100					
68000	40x100						

V \ uF	160	200	250	315	350	400	450
33						22x30	22x30
47				22x30	22x30	22x40	22x40
68			22x30	22x40	22x40	25x40	25x40
100		22x30	22x40	25x40	25x40	25x50	30x50
150	22x30	22x40	25x40	25x50	25x50	30x50	35x50
220	22x40	25x40	25x50	30x50	30x50	35x50	35x63
330	25x50	25x50	30x50	35x50	35x50	35x63	35x80
470	30x50	30x50	35x50	35x63	35x80	35x100	40x100
680	35x50	35x50	35x63	35x80	35x100	40x100	
1000	35x63	35x63	35x80	40x100	40x100		
1500	35x80	35x100	40x100				
2200	40x100	40x100					