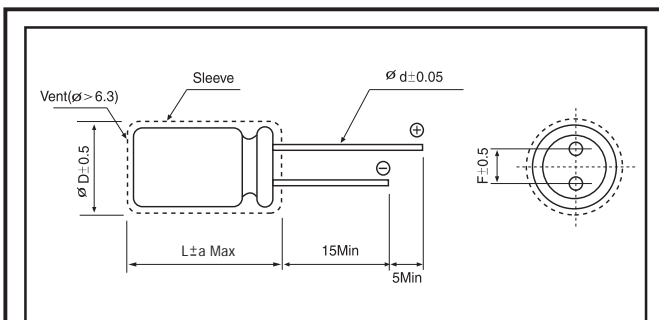


- **High ripple current**
- **Suited for ballast applications**
- **Long Life product withstanding load life of 8,000-10,000 hours at +105°C**

■ SPECIFICATIONS

Operating Temperature Range	-25 ~ +105°C																			
Rated Voltage Range	160 ~ 450V																			
Capacitance Range	10 ~ 330uF																			
Capacitance Tolerance	±20% (at 20°C, 120Hz)																			
Leakage Current	0.06CV + 10 uA whichever is greater (at 20°C, after 2 minutes) C: Nominal Capacitance (uF) V: Rated Voltage (V)																			
Dissipation Factor (At 20°C, 120Hz)	<table border="1"> <tr> <th>Rated Voltage (V)</th> <td>160</td> <td>200</td> <td>250</td> <td>350</td> <td>400</td> <td>450</td> </tr> <tr> <th>tan δ</th> <td>0.15</td> <td>0.15</td> <td>0.15</td> <td>0.20</td> <td>0.20</td> <td>0.20</td> </tr> </table>						Rated Voltage (V)	160	200	250	350	400	450	tan δ	0.15	0.15	0.15	0.20	0.20	0.20
	Rated Voltage (V)	160	200	250	350	400	450													
tan δ	0.15	0.15	0.15	0.20	0.20	0.20														
When nominal capacitance is over 1000uF, tan δ shall be added 0.02 to the listed value with every increase of 1000uF																				
Temperature Characteristics (Impedance Ratio at 120Hz)	<table border="1"> <tr> <th>W.V</th> <td>160</td> <td>200</td> <td>250</td> <td>350</td> <td>400</td> <td>450</td> </tr> <tr> <th>Z(-25°C)/Z(+20°C)</th> <td>3</td> <td>3</td> <td>3</td> <td>6</td> <td>6</td> <td>6</td> </tr> </table>						W.V	160	200	250	350	400	450	Z(-25°C)/Z(+20°C)	3	3	3	6	6	6
	W.V	160	200	250	350	400	450													
Z(-25°C)/Z(+20°C)	3	3	3	6	6	6														
Load Life (+105°C)																				
	Time	8,000 hours after an application of DC bias voltage plus the rated ripple current. The peak voltage shall not exceed rated DC voltage				Diam.	Life													
	Capacitance Change	Within ±20% of the initial value				Ø=10	8000Hrs													
	Dissipation Factor	200% of the initial specified value or less																		
	Leakage Current	The specified value or less				Ø≥12.5	10000Hrs													
Shelf Life (+105°C)	1000 hours. No voltage applied. After test: U _R to be applied for 30 minutes, 24 to 48 hours before measurements.																			

■ DIMENSION



ØD	10	12.5	16	18
F	5.0		7.5	
Ød	0.6		0.8	
	L > 30:0.8			
a	L < 16:1.0 L ≥ 16:2.0			

■ MULTIPLIER FOR RIPPLE CURRENT

Frequency Coefficient

Freq(Hz)	50	120	300	1K	10K	100K
Cap(uF)						
<100	0.30	0.40	0.55	0.70	0.90	1.00
>100	0.35	0.45	0.60	0.75	0.90	1.00

■ STANDARD RATINGS

uF \ V	160		200		250		350		400		450	
	Size (mm)	Ripple	Size (mm)	Ripple	Size (mm)	Ripple	Size (mm)	Ripple	Size (mm)	Ripple	Size (mm)	Ripple
	ØDxL	mArms	ØDxL	mArms	ØDxL	mArms	ØDxL	mArms	ØDxL	mArms	ØDxL	mArms
10							10x20	350	10x20	300	12.5x20	350
15									12.5x20	410	12.5x25	560
22	10x20	500	10x20	600	10x20	560	12.5x20	480	12.5x25	500	16x20	680
									16x20	600		
33	10x20	580	10x20	650	12.5x20	710	16x20	640	16x20	730	16x30	850
											18x25	850
47	10x20	750	12.5x20	790	12.5x25	920	16x25	800	16x25	840	18x31.5	1000
					16x20	990	18x20	800	18x20	840		
68	12.5x20	950	12.5x25	950	16x20	1000	16x30	1100	18x30	1200	18x40	1300
			16x20	1000			18x25	1000				
82	12.5x25	1060	16x20	1100	16x25	1200	18x25	1100	18x40	1500		
					18x20	1200						
100	12.5x25	1170	16x25	1300	16x30	1500	18x30	1200				
	16x20	1280	18x20	1280	18x25	1500						
150	16x25	1400	16x25	1400	18x30	1800						
	18x20	1400										
220	16x30	1700	18x30	2000	18x40	2100						
	18x25	1500	18x40	2400								
330	18x31.5	2000	18x40	2400								

Ripple Current: mA(rms) at 100KHz, 105°C