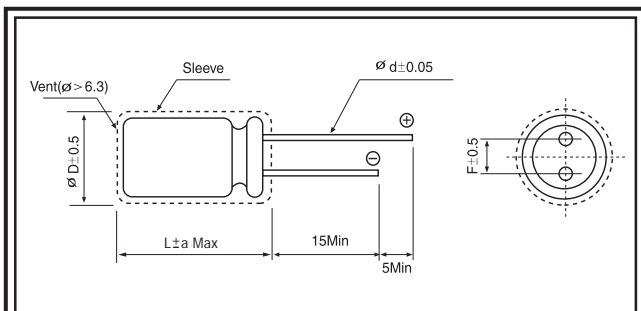


■ 105°C, Low Leakage Current

■ SPECIFICATIONS

Operating Temperature Range	-40 ~ +105°C																										
Rated Voltage Range	6.3 ~ 100V																										
Capacitance Range	0.47 ~ 3300uF																										
Capacitance Tolerance	±20% (at 20°C, 120Hz)																										
Leakage Current	I ≤ 0.002CV whichever is greater (at 20°C, after 2 minutes) I: Leakage Current (uA)    C: Nominal Capacitance (uF)    V: Rated Voltage (V)																										
Dissipation Factor (At 20°C, 120Hz)	<table border="1"> <tr> <th>Rated Voltage(V)</th> <td>6.3</td> <td>10</td> <td>16</td> <td>25</td> <td>35</td> <td>50</td> <td>63</td> <td>100</td> </tr> <tr> <th>tan δ</th> <td>0.28</td> <td>0.24</td> <td>0.20</td> <td>0.16</td> <td>0.14</td> <td>0.12</td> <td>0.10</td> <td>0.08</td> </tr> </table>									Rated Voltage(V)	6.3	10	16	25	35	50	63	100	tan δ	0.28	0.24	0.20	0.16	0.14	0.12	0.10	0.08
	Rated Voltage(V)	6.3	10	16	25	35	50	63	100																		
tan δ	0.28	0.24	0.20	0.16	0.14	0.12	0.10	0.08																			
When nominal capacitance is over 1000uF, tan δ shall be added 0.02 to the listed value with every increase of 1000uF																											
Temperature Characteristics (Impedance Ratio at 120Hz)	<table border="1"> <tr> <th>W.V</th> <td>6.3</td> <td>10</td> <td>16</td> <td>25</td> <td>35</td> <td>50</td> <td>63</td> <td>100</td> </tr> <tr> <th>Z(-40°C)/Z(+20°C)</th> <td>12</td> <td>10</td> <td>8</td> <td>5</td> <td>4</td> <td>3</td> <td>3</td> <td>3</td> </tr> </table>									W.V	6.3	10	16	25	35	50	63	100	Z(-40°C)/Z(+20°C)	12	10	8	5	4	3	3	3
	W.V	6.3	10	16	25	35	50	63	100																		
Z(-40°C)/Z(+20°C)	12	10	8	5	4	3	3	3																			
Load Life (+105°C)																											
Time		1000 hours after an application of DC bias voltage plus the rated ripple current. The peak voltage shall not exceed rated DC voltage						Life																			
Capacitance Change		Within ±25% of the initial value						1000Hrs																			
Dissipation Factor		200% of the initial specified value or less																									
Leakage Current		The specified value or less																									
Shelf Life (+105°C)		After leaving the capacitor under on load at 105°C for 1000 hours, they meet the specified value for load life characteristics listed above.																									

■ DIMENSION



ØD	5	6.3	8	10	12.5
F	2.0	2.5	3.5	5.0	5.0
Ød	0.5			0.6	
a	1.5				2.0

■ MULTIPLIER FOR RIPPLE CURRENT

Frequency Coefficient

Freq(Hz)	50	120	300	1K	10K~
Cap (uF)					
≤ 100	0.78	1.00	1.38	1.60	2.00
100 ~470	0.80	1.00	1.25	1.35	1.50
470 ~3300	0.85	1.00	1.10	1.15	1.15

