

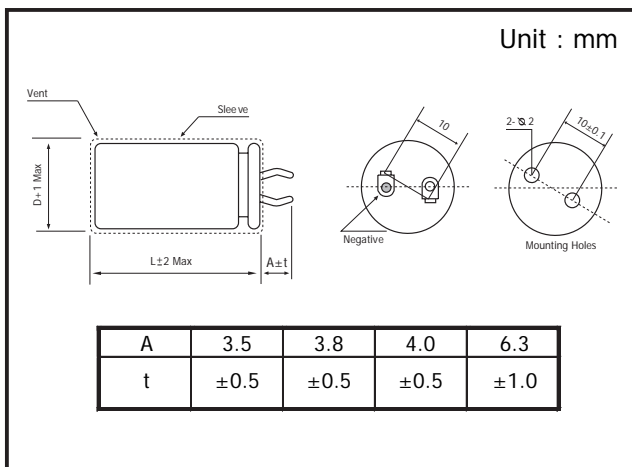
- Load Life of 3000 Hours at 85°C
- Smaller Size
- PCB Mounting, Snap-In Terminals
- For Switching Power Supply

## ■ SPECIFICATIONS

Operating Temperature Range	-40~+85°C (300~450WV: -25 ~+85°C)							
Rated Voltage Range	10 ~ 450V							
Capacitance Range	120 ~ 18000µF							
Capacitance Tolerance	±20% (at 20°C, 120Hz)							
Leakage Current	I ≤ 0.03 CV or 1.5mA whichever is smaller ( at 20°C, after 5 minutes) I: Leakage Current (µA) C: Nominal Capacitance (µF) V: Rated Voltage (V)							
Dissipation Factor (at 20°C, 120Hz)	Rated Voltage(V)	10~16	25	35~50	63	80~100	160~400	450
	tan δ	0.55	0.45	0.40	0.30	0.25	0.15	0.25
Temperature Characteristics (Impedance Ratio at 120Hz)	W.V	10	16~35	50~100	160~250	300~400	450	
	Z(-25°C)/Z(+20°C)	6	6	5	5	4	10	
	Z(-40°C)/Z(+20°C)	14	12	12	12	-	-	
Load Life (+85°C )	Time	3,000 hours after an application of DC bias voltage plus the rated ripple current. The peak voltage shall not exceed rated DC voltage						
	Capacitance Change	Within ±20% of the initial value						
	Dissipation Factor	200% of the initial specified value or less						
	Leakage Current	The specified value or less						
Shelf Life (+85°C )	Time	500 hours						
	Capacitance Change	Within ±15% of the initial value						
	Dissipation Factor	150% of the initial specified value or less						
	Leakage Current	The specified value or less						

After Test: U<sub>R</sub> to be applied for 60 minutes, 24 to 48 hours before measurement.

## ■ DIMENSION



## ■ MULTIPLIER FOR RIPPLE CURRENT

Frequency Coefficient

Rated Voltage(V)	Freq(Hz)				
	50	120	1K	10K	20K
≤ 100	0.90	1	1.05	1.10	1.15
160 ~ 250	0.80	1	1.20	1.30	1.33
>250	0.80	1	1.05	1.10	1.15

■ STANDARD RATING

Cap (uF)	10		16		25		35		50		63		80		100		
	DxL	Ripple	DxL	Ripple	DxL	Ripple	DxL	Ripple	DxL	Ripple	DxL	Ripple	DxL	Ripple	DxL	Ripple	
	mm	Arms	mm	Arms	mm	Arms	mm	Arms	mm	Arms	mm	Arms	mm	Arms	mm	Arms	
1500																25x35	2.52
2200																	
2700												25x30	2.45	25x35	2.95	25x40	2.84
3300												25x35	2.61	25x40	3.16	25x45	3.29
3900							25x30	2.56	25x30	2.42		25x35	2.73	25x45	3.72	25x50	4.16
4700							25x35	2.81	25x35	2.76		25x40	3.19	25x50	4.15		
5600							25x35	2.93	25x35	3.15		25x45	3.43				
6800					22x30	2.35	25x40	3.14	25x40	3.42		25x50	3.92				
8200			22x30	2.65	22x35	2.62	25x45	3.68	25x45	3.43		25x50	4.53				
10000	22x30	2.25	22x35	2.91	22x40	2.92	25x50	4.19	25x50	4.46							
12000	22x35	2.34	22x35	3.24	22x40	3.26											
15000	22x40	2.90	22x40	3.79	22x45	3.61											
18000	22x45	3.42	22x45	3.98	22x50	4.05											

Ripple Current: A(rms) at 120Hz, 85°C

Cap (uF)	160		180		200		250		300		350		400		450			
	DxL	Ripple	DxL	Ripple	DxL	Ripple	DxL	Ripple	DxL	Ripple	DxL	Ripple	DxL	Ripple	DxL	Ripple		
	mm	Arms	mm	Arms	mm	Arms	mm	Arms	mm	Arms	mm	Arms	mm	Arms	mm	Arms		
120																35x30	1.25	
150																35x35	1.37	
180																		
220													35x30	1.62	35x35	1.77	35x40	1.75
270													35x35	1.93	35x40	1.94	35x40	1.86
330																		
390																		
470	25x30	1.82	25x30	1.92	25x30	1.68	30x30	1.79	30x35	1.91	35x40	2.19	35x45	2.18	35x45	2.18	35x45	2.18
560	25x35	2.16	25x35	2.23	25x35	1.94	30x35	1.92	30x35	2.12	35x40	2.33	35x50	2.55	35x50	2.38		
680	25x35	2.34	25x35	2.46	25x35	2.15	30x40	2.42	30x40	2.62	35x40	2.33	35x50	2.55	35x50	2.38		
820	25x40	2.63	25x40	2.78	25x40	2.43	30x45	3.01	30x50	2.83								
1000	25x45	2.91	25x45	2.98	25x45	2.73	30x50	3.22										
1200	25x50	3.35	25x50	3.42	25x50	3.10												

Ripple Current: A(rms) at 120 Hz, 85°C