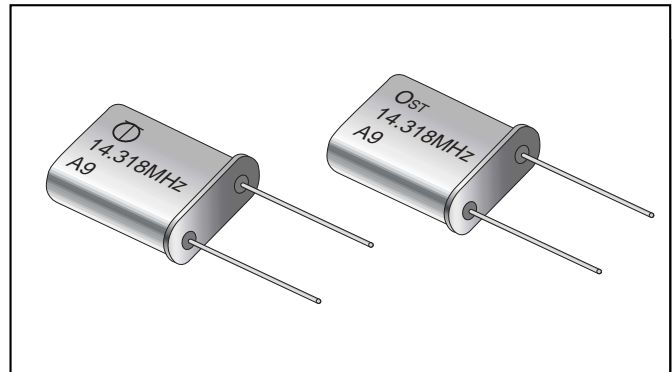


RESISTANCE WELDED HOLDER HC-49U PACKAGE



ELECTRICAL SPECIFICATIONS

Frequency Range	1.8432 MHz ~ 125.000 MHz
Frequency Tolerance at 25°C	± 30 ppm or ± 50 ppm (please specify)
Frequency Stability Over Operating Temperature Range	± 30 ppm or ± 50 ppm (please specify)
Operating Temperature Range	- 20°C ~ 70°C
Storage Temperature Range	- 40°C ~ 85°C
Shunt Capacitance	7pF Max
Load Capacitance (CL)	Customer Assign
Insulation Resistance	500 Megaohms Minimum at 100V _{DC}
Drive Level	100 uW Max
Aging (at 25°C)	± 5 ppm/year Max

EQUIVALENT SERIES RESISTANCE (ESR) AND MODE OF OPERATION (MODE)

Frequency Range	Max ESR (Ω)	Mode	Frequency Range	Max ESR (Ω)	Mode
1.800 MHz ~ 1.999 MHz	650 Max	Fundamental	6.000 MHz ~ 7.999 MHz	80 Max	Fundamental
2.000 MHz ~ 2.999 MHz	500 Max	Fundamental	8.000 MHz ~ 12.999 MHz	50 Max	Fundamental
3.000 MHz ~ 3.499 MHz	250 Max	Fundamental	13.000 MHz ~ 30.999 MHz	50 Max	Fundamental
3.500 MHz ~ 3.999 MHz	150 Max	Fundamental	24.000 MHz ~ 29.999 MHz	50 Max	3rd Overtone
4.000 MHz ~ 4.999 MHz	100 Max	Fundamental	30.000 MHz ~ 80.000 MHz	80 Max	3rd Overtone
5.000 MHz ~ 5.999 MHz	80 Max	Fundamental	70.000 MHz ~ 125.000 MHz	90 Max	5th Overtone

DIMENSIONS

