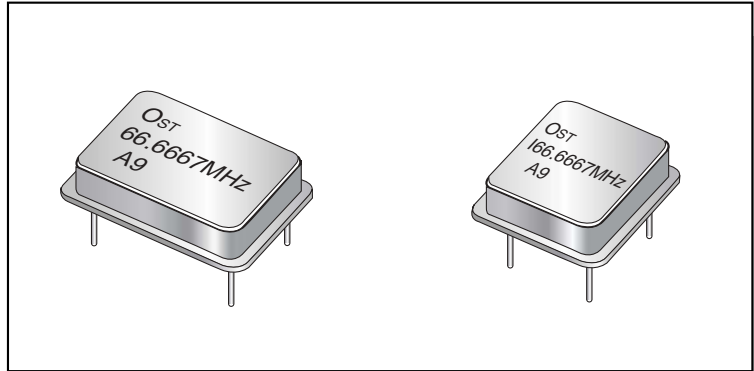


CRYSTAL CLOCK OSCILLATOR



- Thick film hybrid technology
- TTL and/or CMOS compatible
- Low cost
- Full and half size

■ ELECTRICAL SPECIFICATIONS

Package	Full Size (14pin), Half Size (8 pin)	
Frequency Range	1 ~ 100 MHz	
Frequency Stability	±25ppm ~ ±100ppm	
Operating Temperature	0°C ~ +70°C	
Storage Temperature	-55°C ~ 125°C	
Output Load	1 ~ 10TTL or CMOS 15~50pF	
Input Current (mA)	10mA Max 1~4MHz 30mA Max 4~32MHz 50mA Max 32~80MHz	
Input Voltage (V)	5.0V <sub>DC</sub> ± 10% or 3.0V <sub>DC</sub> ± 10%	
Symmetry (%)	40% ~ 60%, 45% ~ 55%	
Rise/Fall Time (ns)	5ns typical, 10ns Max	
"0"Level	TTL	CMOS
"1"Level	0.4V Max	0.5V (10% V <sub>DD</sub> )
	2.4V Min	4.5V (90% V <sub>DD</sub> )

■ DIMENSIONS

Unit: mm

Pin	Connection
#1	NC/control
#7	GND
#8	Output
#14	+5.0V <sub>DD</sub>

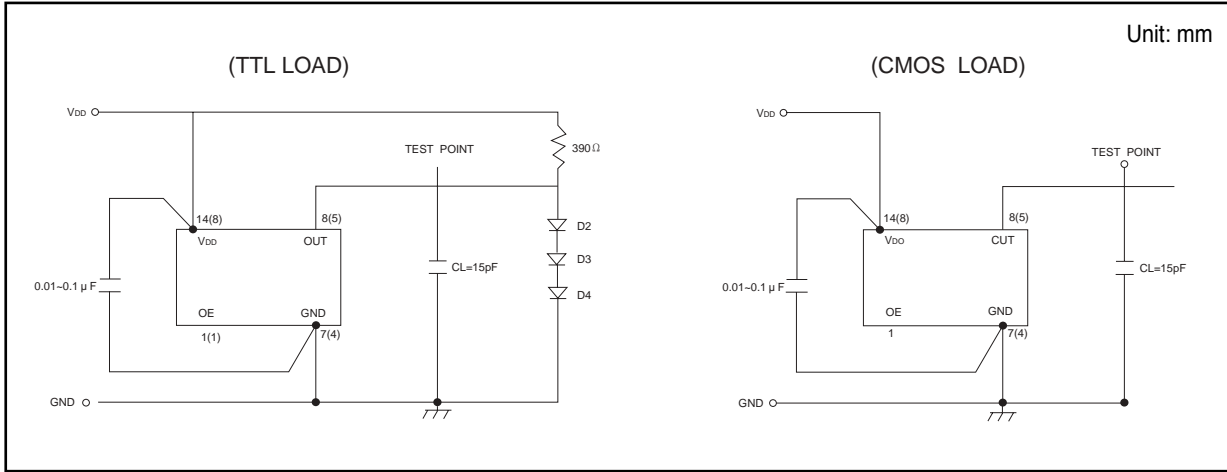
FULL SIZE TO-110

Unit: mm

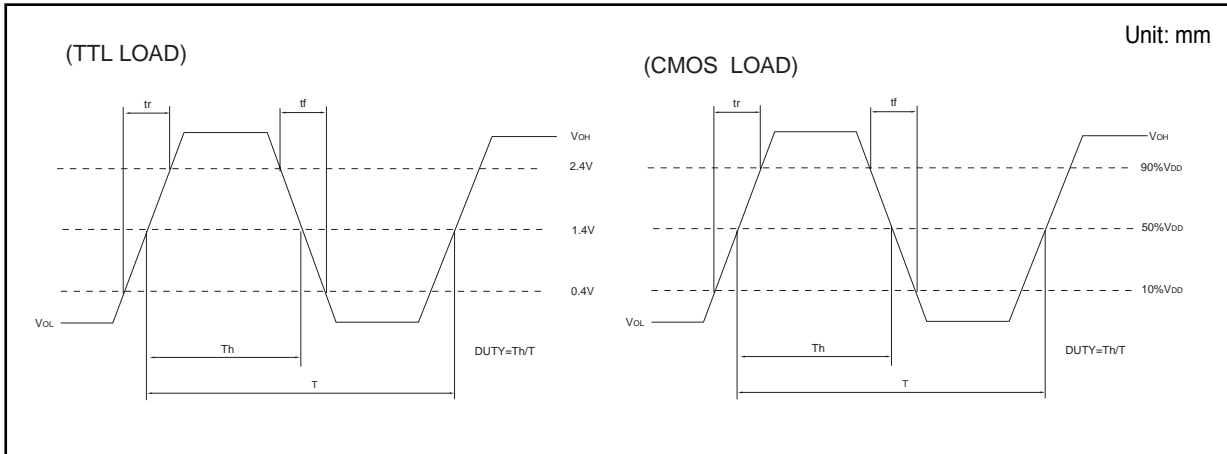
Pin	Connection
#1	NC/control
#4	GND
#5	Output
#8	+5.0V <sub>DD</sub>

HALF SIZE TO-120

## MEASURING CIRCUIT



## OUTPUT WAVE



## INPUT CURRENT

