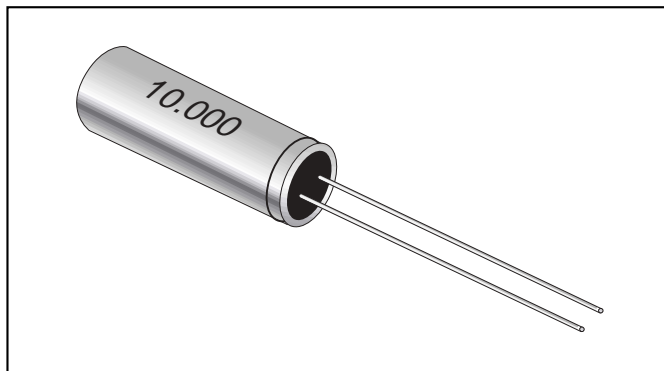


CYLINDER TYPE HIGH FREQUENCY


- Miniature size and excellent impact resistance
- For communication equipment, AV equipment and PC equipment

ELECTRICAL SPECIFICATIONS

Frequency Range	3.5 MHz ~ 30 MHz (Fund) 30 MHz ~ 70 MHz (3rd OT)
Frequency Tolerance at 25°C	± 30ppm or ± 50 ppm
Temperature Stability (REF TO 25°C)	± 30ppm or ± 50 ppm
Operating Temperature Range	- 10°C ~ 60°C
Storage Temperature Range	- 40°C ~ 80°C
Shunt Capacitance	5.0 pF Max
Load Capacitance	16 pF typ. (please specify)
Insulation Resistance	500 Megaohms Minimum at 100VDC
Drive Level	50 uW~ 100 uW
Aging (at 25°C)	± 5ppm/year Max

EQUIVALENT SERIES RESISTANCE (ESR) AND MODE OF OPERATION (MODE)

Frequency	Equivalent Series Resistance	Mode	Frequency	Equivalent Series Resistance	Mode
$3.5\text{MHz} \leq f_0 < 4\text{MHz}$	200	Fundamental	$10\text{MHz} \leq f_0 \leq 30\text{MHz}$	50	Fundamental
$4\text{MHz} \leq f_0 < 6\text{MHz}$	150	Fundamental	$30\text{MHz} < f_0 < 36\text{MHz}$	100	3rd Overtone
$6\text{MHz} \leq f_0 < 10\text{MHz}$	100	Fundamental	$36\text{MHz} \leq f_0 < 70\text{MHz}$	80	3rd Overtone

(Ω)

DIMENSIONS
