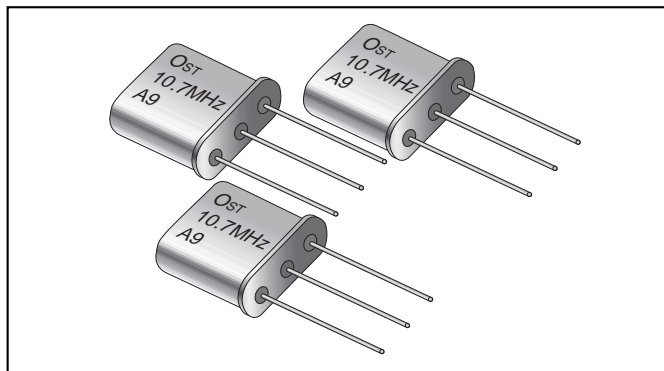
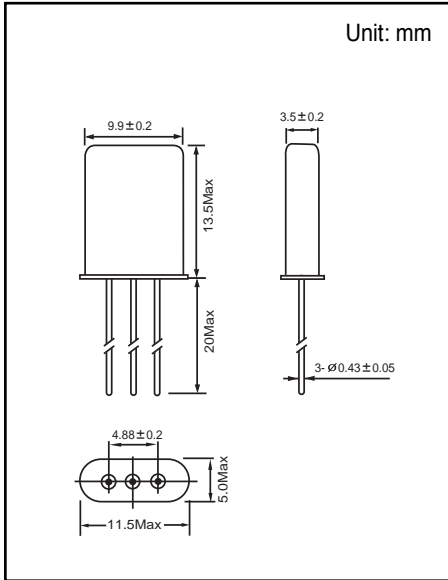


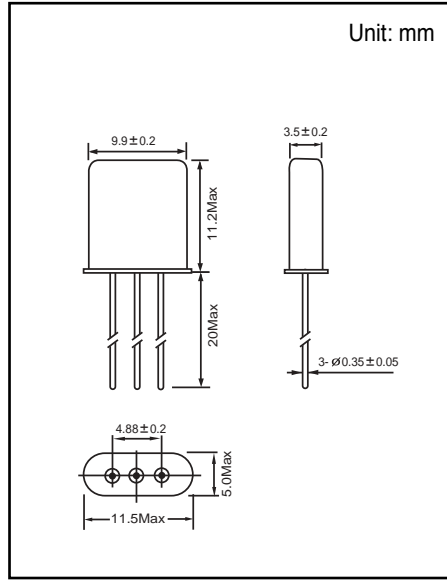
MONLITHIC FILTER

■ ELECTRICAL SPECIFICATIONS

Model	Frequency (MHz)	Pass Band Width(KHz)		Attenuation Band Width (KHz)				Insertion Loss (dB)	Ripple (dB)	Terminating Impedance K Ω //pF	Operating Temperature Range (°C)	Package
		3dB	6dB	18dB	40dB	60dB	80dB					
KX10M7A	10.7	± 3.75		± 18				1.5	0.5	18//5.0	-25 ~ +55	HC-49E
KX10M15A	10.7	± 7.5		± 25				2.0	1.0	3.0//2.0	-25 ~ +55	HC-49E
KX10M15A1	10.7	± 7.5		± 25				2.0	1.0	3.0//2.0	-25 ~ +55	HC-49T
KX10M15A2	10.7	± 7.5		± 25				2.0	1.0	3.0//2.0	-25 ~ +55	11.1x47x9
KX10M15B	10.7	± 7.5			± 25			2.5	1.0	3.0//1.0	-25 ~ +55	(HC-49E)x2
KX10M15B1	10.7	± 7.5			± 25			2.5	1.0	3.0//1.0	-25 ~ +55	(HC-49T)x2
KX10M15C	10.7		± 7.5			± 22.5		3	2	3.0	-25 ~ +55	HC-49T
KX10M15D	10.7		± 7.5			± 15	± 20	4	2	3.0	-25 ~ +55	HC-49T
KX16M15A	16.9	± 7.5			± 30			2.5	1	3.0	-25 ~ +55	HC-49T
KX17M15A	17.9	± 7.5		± 30				2.0	0.5	3.0	-25 ~ +55	KF-UM1
KX21M15A	21.4	± 7.5		± 25				1.5	0.5	1.5//2.5	-25 ~ +55	KF-UM5
KX21M15A1	21.4	± 7.5		± 25				1.5	0.5	1.5//2.5	-25 ~ +55	KF-UM1
KX21M15B	21.4	± 7.5			± 25			2.0	1.0	1.5//2.0	-25 ~ +55	(UM-1)2
KX21M15C	21.4		± 7.5			± 22.5		3.0	2.0	1.5//2.0	-25 ~ +55	HC-49T

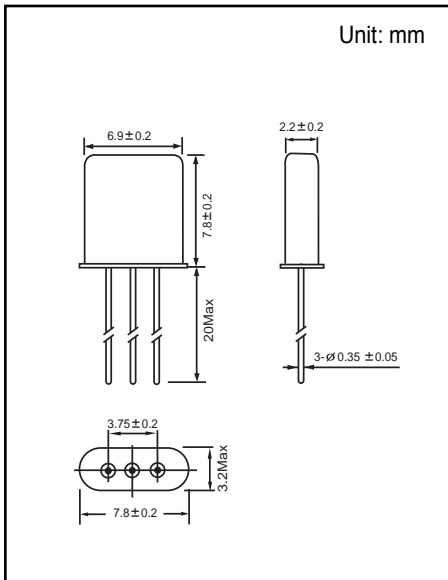
HC-49/E



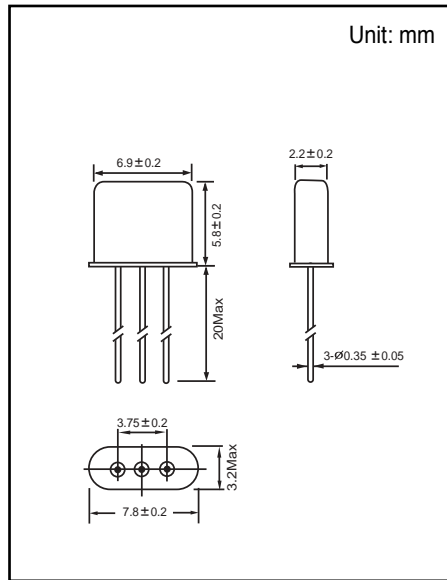
HC-49/T



KF-UM1



KF-UM5



MEASURING CIRCUIT

