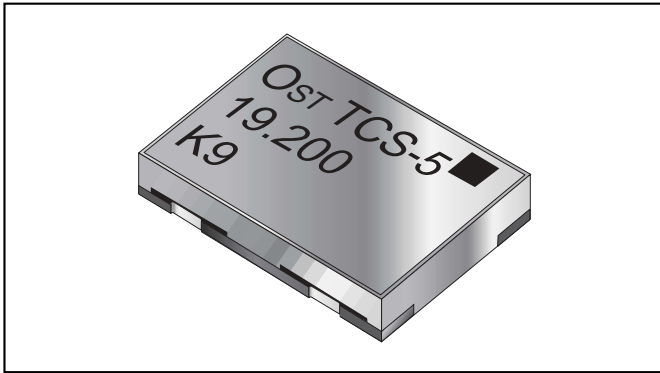
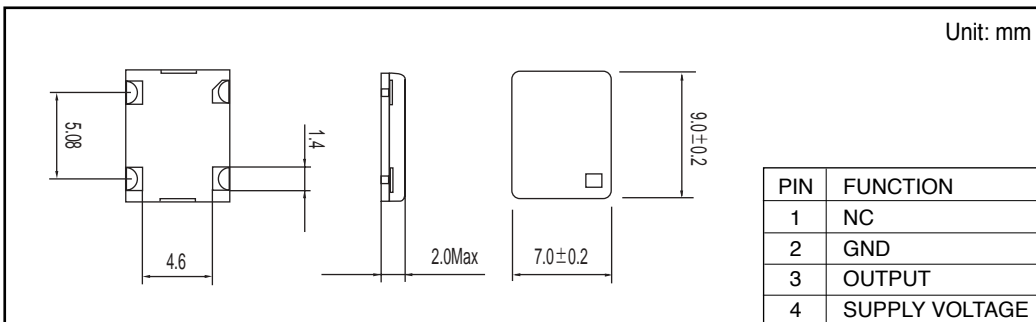
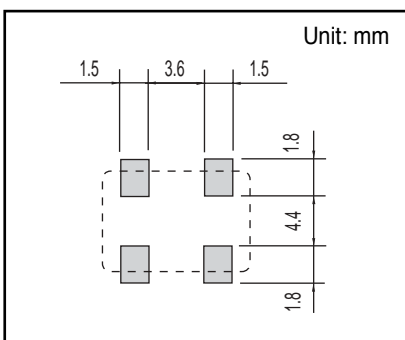


SURFACE MOUNT TYPE TCXO


- SMD Package.
- 5V, 3V Available

ELECTRICAL SPECIFICATIONS

Type		TCS
Frequency Range		13.0-19.2MHz (Other upon Request)
Current Consumption		2mA Max
Frequency Stability	Temperature	± 2.5 ppm Max
	Aging	± 1 ppm
	Supply Voltage Change	± 0.3 ppm at $V_{dc} \pm 5\%$
Output Load		10k Ω /10pF
Operating Temperature Range		-30°C \pm 75°C
Storage Temperature		-40°C \pm 85°C
Supply Voltage		+5.0V ppl
		+3.3V
		+3.0V
Output Level		0.7Vpp Min

DIMENSIONS

PAD LAYOUT

REFLOW SOLDERING PROFILE
