

SURFACE MOUNT TYPE VCXO

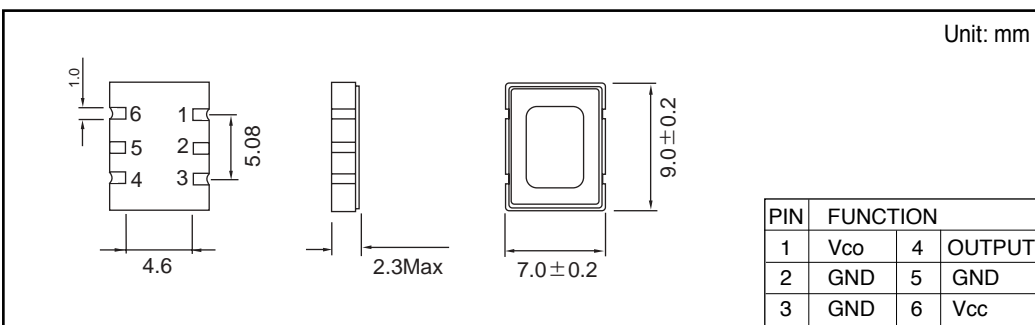


- Seam welding,excellent solderability
- SMD Package
- 5V, 3V Available
- Low power consumption

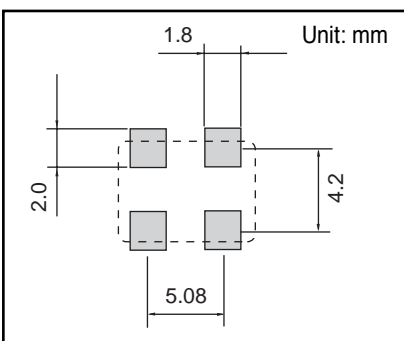
ELECTRICAL SPECIFICATIONS

Type		VCS5 (5 Volt Version)	VCS3 (3.3 Volt Version)
Frequency Range		20.0-52.0MHz	20.0-52.0MHz
Current Consumption		20mA Max	10mA Max
Frequency Stability	Temperature	± 20 ppm (-10°C ~+60°C)	± 20 ppm (-10°C ~+60°C)
	Aging	± 5 ppm	± 5 ppm
	Supply Voltage Change	± 2 ppm	± 2 ppm
Supply Voltage		5Volt ($\pm 5\%$)	3.3Volt ($\pm 5\%$)
Control Voltage Characteristic		Center Frequency at Control Voltage 2.5V	Center Frequency at Control Voltage 1.6V
Frequency Deviation (Pulling Range)		± 50 ppm Min (Vco:0.5-4.5 Volt)	± 50 ppm Min (Vco:0.1-3.1 Volt)
Symmetry		40/60% at 1/2Vdc	40/60% at 1/2Vdc
Output Load		10pF	10pF

DIMENSIONS



PAD LAYOUT



TEST CIRCUIT

